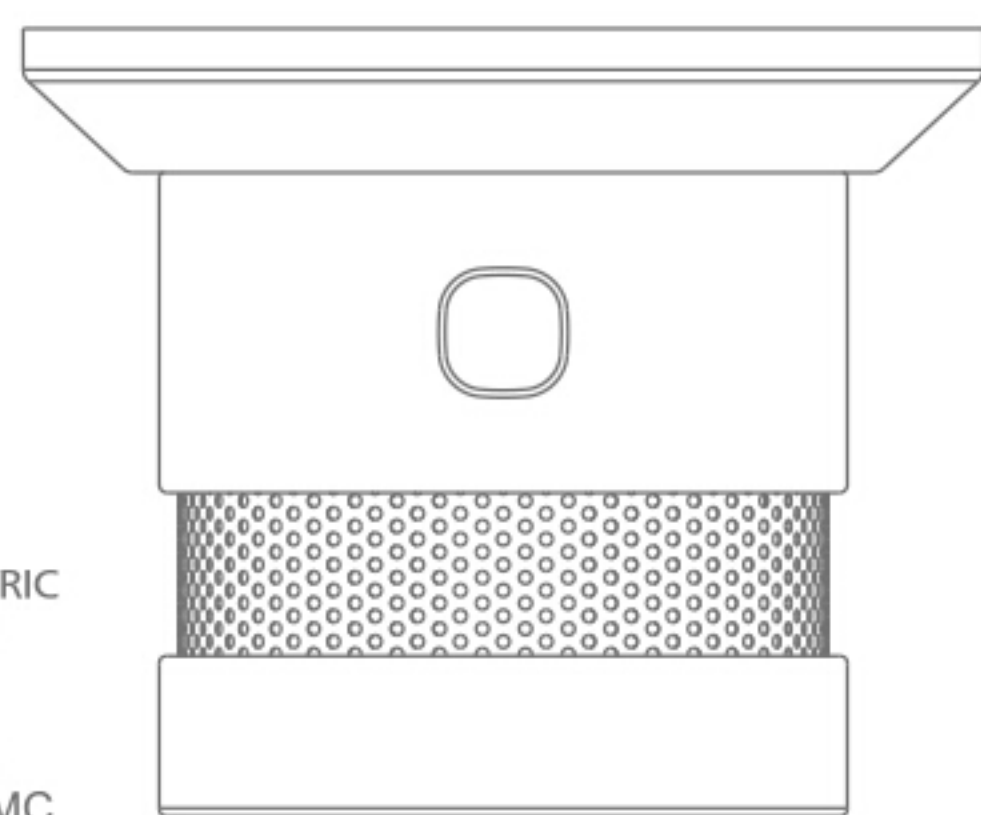


## Smart Photoelectric Smoke Alarm

### User Manual

M414-22Ever1.2



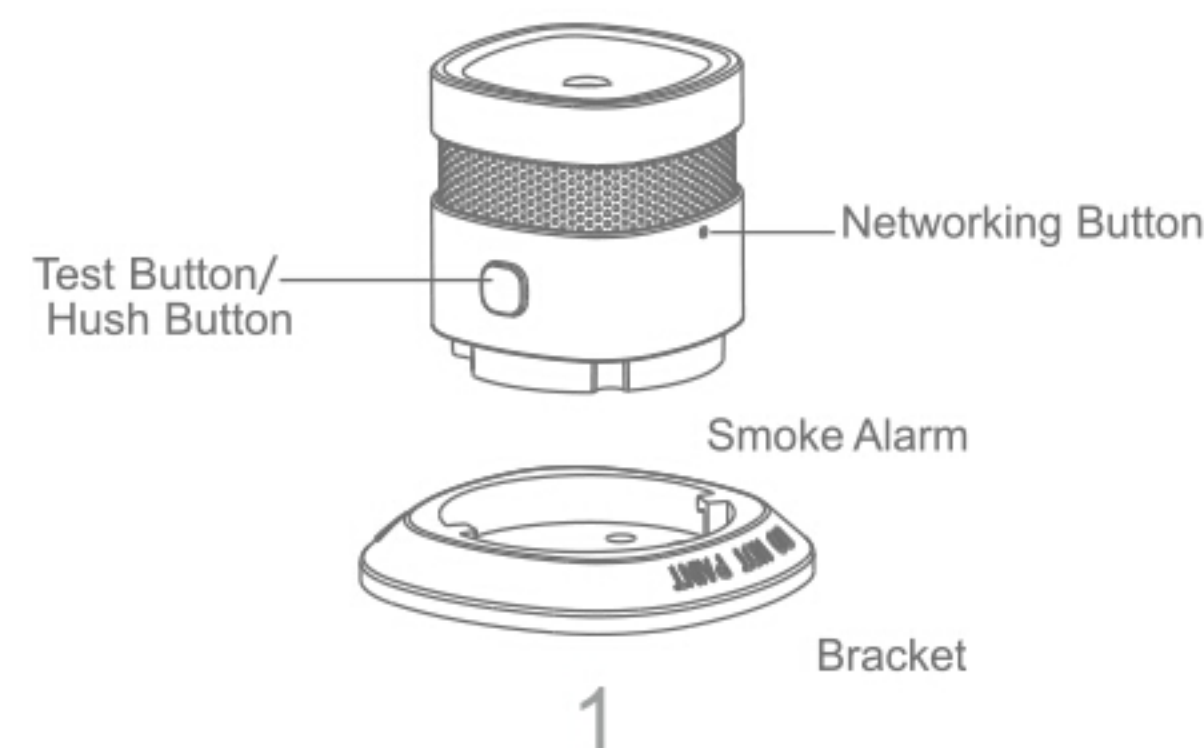
1008-CPR-MC  
69265714

Standards tested to: EN14604:2005/AC:2008

\*Please read the user manual carefully before operation.  
The guide picture is for reference only. Please in kind prevail.

## 01/Product Introduction

This product is a smart photoelectric smoke alarm, with ultra-low-power Zigbee wireless network technology design. It is capable of real-time detecting the presence of smoke, once detect danger of fire smoke, red LED flashes rapidly and detectors sound alarm once detecting smoke fire danger, can alert you and your family timely. It can be widely used in household, lounge, coffee house, dancing hall any other places need fire alarm monitoring. Free tool installation, once stick once use.



1

## 02/Technical Specification

- Working Voltage:DC3V(CR17335 / CR123A Lithium Battery)
- Alarm Indication:Red LED
- Sound Level:≥85dB/3m
- Networking Way:Zigbee Ad-Hoc Networking
- Distance Of Ad-Hoc Network:≤70m(open area)
- Working Temperature:-10°C ~ +50°C
- Working Humidity:≤95%RH (no condensation)
- Dimension:60\*60\*49.2mm

2

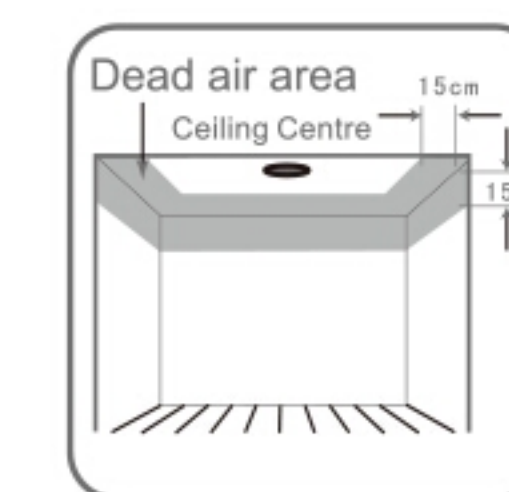
## 03/Installation

### Flat ceiling mounting

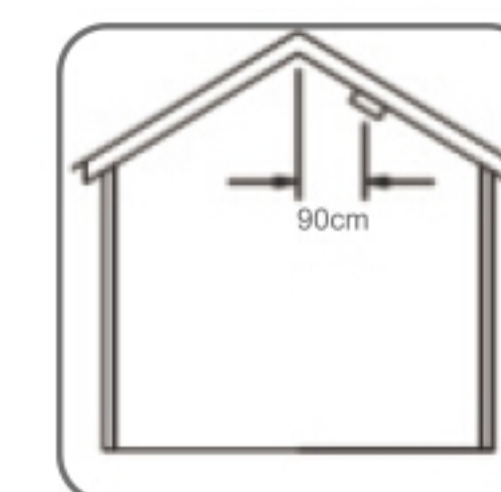
The preferred location to install smoke alarm is in the centre of the ceiling, because smoke, heat and combustible products rise to ceiling and will laterally spread.Keep at least 30cm distance from lights or decorations, and at least 15 cm away from walls and corners.

### Sloping ceiling mounting

If ceiling is sloping, please install the smoke alarm at horizontal distance 90cm away from the ceiling top.



Recommended and Avoided Installation Position



Sloping Ceiling Mounting Position

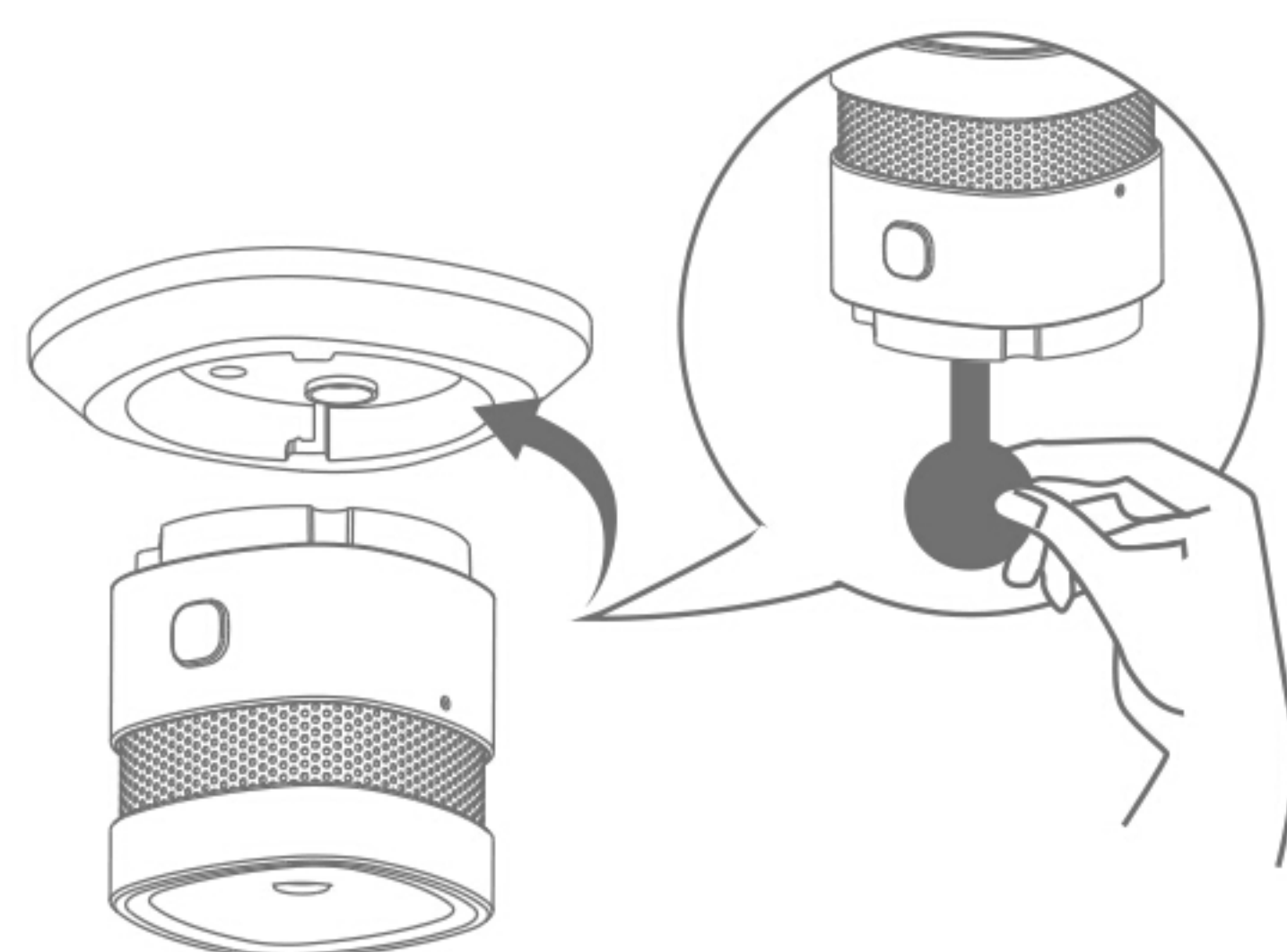
3

## 04/Installation Instruction

- Please put smart hub into the center of alarm.
- Please shorten the distance between smart hub and alarm.
- Please reduce barriers between smart hub and alarms.
- Avoid installing in places with high noise area or high frequency interference, like places near from metal air conditioner, heater devices, current circuit breaker control box.
- Building materials with metal net or metal bar may reduce the wireless transmission distance, like reinforced concrete wall.
- Damping of the signal makes direct ratio with barrier, if the materials of the barrier is homogeneous.

4

### Installation Step 1



- Rotate the alarm anticlockwise to separate from bracket, then remove battery insulating strip to electrify the alarm.

5

### Installation Step 2

- Open the APP and enter into gateway, then tap "+" to add smoke alarm according to the instructions.

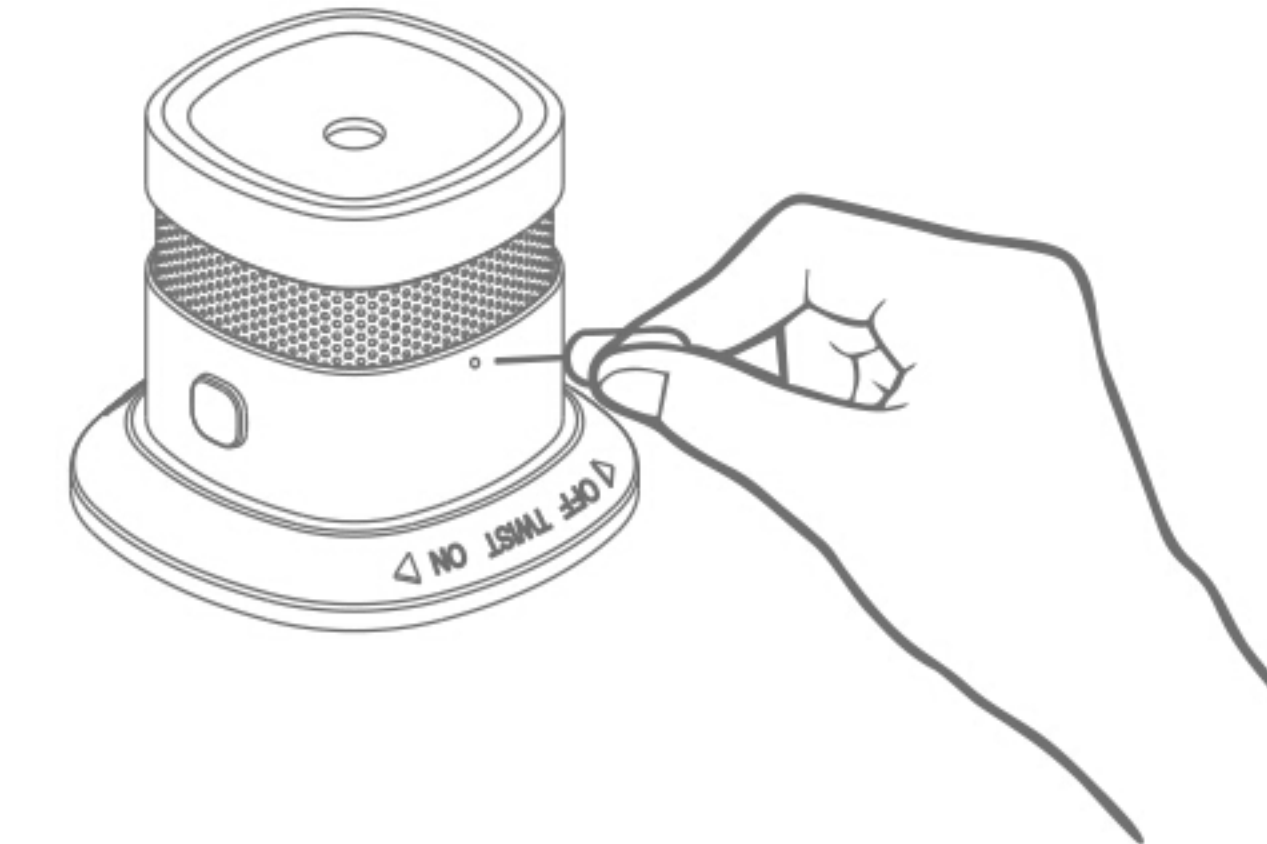


#### Tips

- Due to the APP upgrade and update, this guideline may be slightly different from the actual operation, please follow the instructions in the APP.
- \* If networking failed, please move the device closer to the gateway and try again.
- \* Please add the device to the gateway first, and then install and fix it.

6

### Installation Step 3

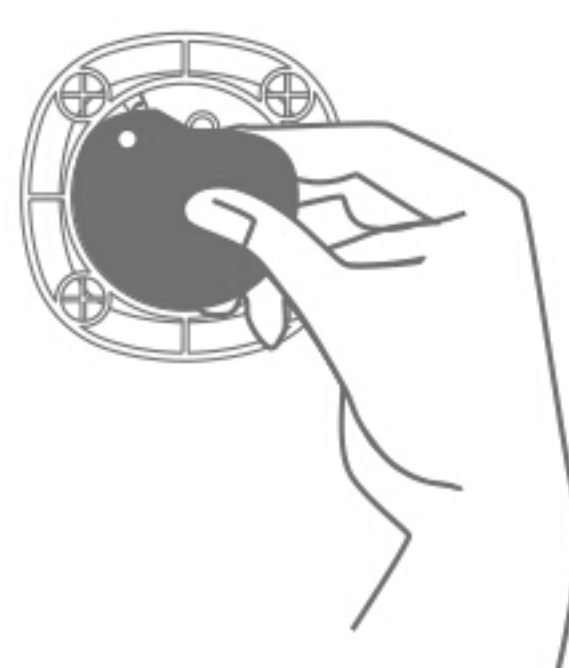


- Adding network: according to APP prompt, press the button for 2 seconds after the networking equipment, green flash, APPInterface prompted, networking success.
- Disconnect network: press the networking button for 5 seconds to disconnect the network, after the green light flashes slowly for 3 seconds, which indicates network is disconnected successfully. )

7

### Installation Step 4

- Installation one: remove the double-sided adhesive and stick alarm into ceiling.
- Installation two: fixed the bracket into ceiling using screws.



Installation one

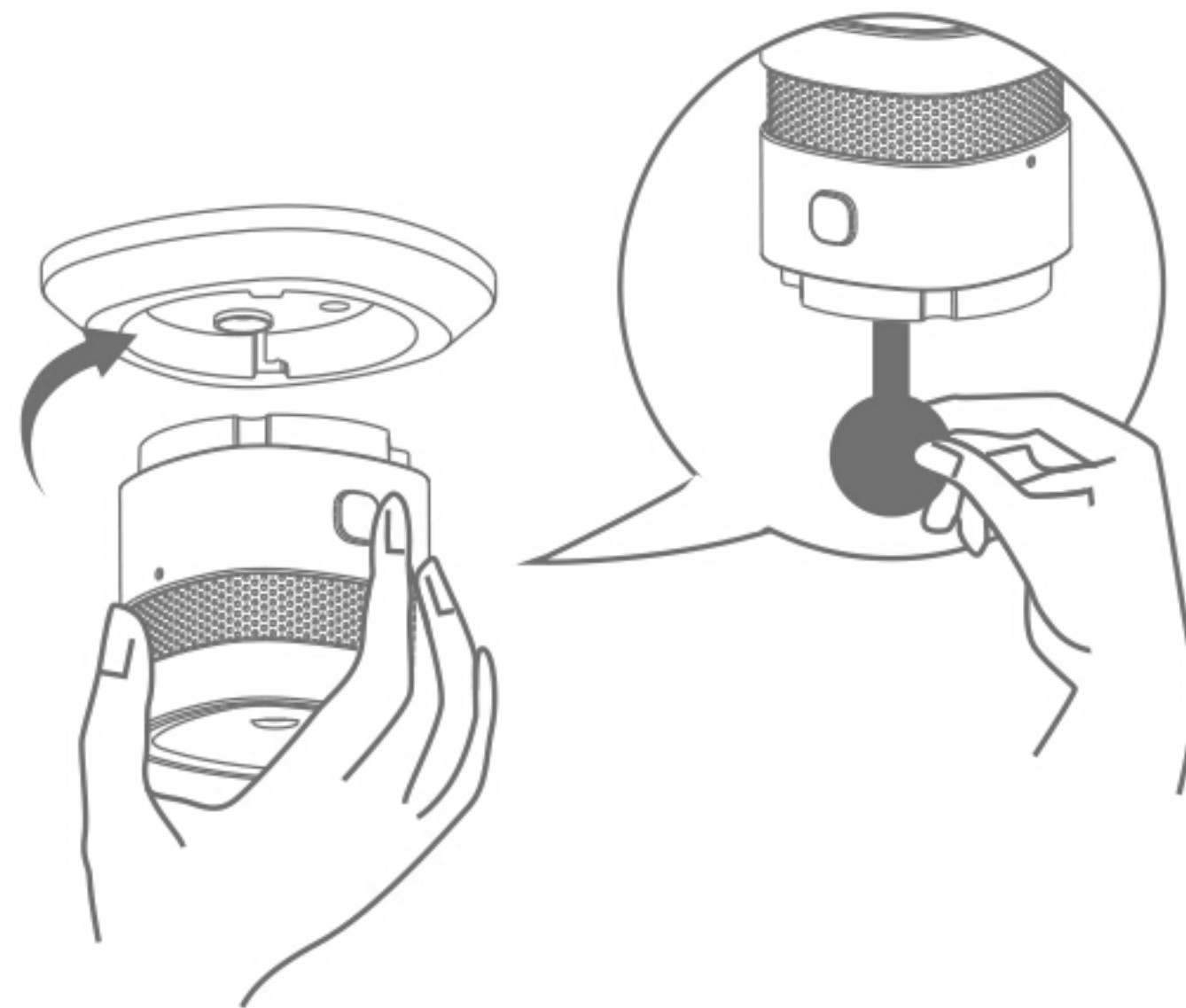


Installation two

- Installation with double-sided adhesive should pay attention to as follows:
- Make sure the installation surface is smooth, flat, stable, dry and clean.
  - After installation, regularly check whether the product is attached firmly to the installation surface.

8

- Remove the battery insulating strip to make detector on power, and clockwise rotating alarm into bracket.



9

## 05/LED State and Alarm

State	LED	Sound Alarm
Stanby	red LED flash every 53 seconds	NO
Test	red LED flash quickly	rapid"Di-Di-Di"
Alarm	red LED flash quickly	rapid"Di-Di-Di"
Hush	red LED flash every 10 seconds	NO
Low Power	red LED flash one time	"Di" every 53 seconds
Fault	red LED flash twice every 53 seconds	"Di-Di" for twice every 53 seconds

LED	State
Green	1.Rapidly flash during networking (5times/second) 2.Keep on for around 3 seconds if network success 3.Flash slowly if network failed ( twice/second) six times
LED	1.APP operation, ZigBee network failed, flash slowly 6 times 2.long press network button for 5 seconds, red LED on around 2 seconds, then flash slowly for 6 times, disconnect success.

10

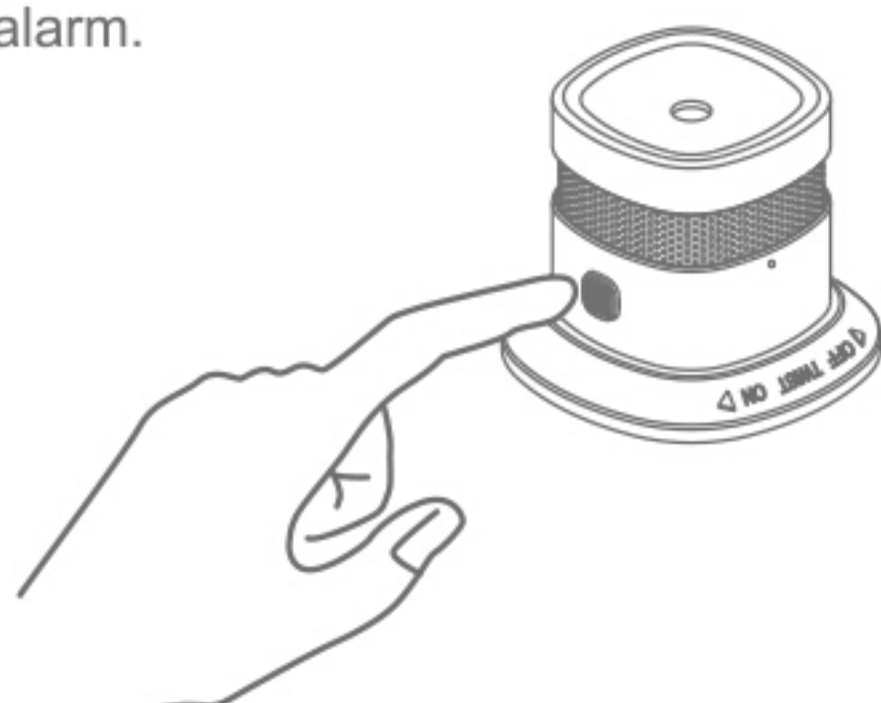
## 06/FAQ

Phenomenon	Analysis	Treatment
Power on and alarm	there is large dust or vapour	power on after cleaning dust or vapour
Power on with short "Di-Di"	Low power	Change same battery
Buzzer do not alarm or small sound	Low power	Change same battery
Press test button but no alarm	power connect of battery, or battery polarity inverse	install battery and pay attention to battery polarity
	Low power	Change same battery
Device off line	Low power	Change same battery
	smart device too far away from smart hub	1.Add repeater 2.Shorten distance between smart hub and smart devices, press test button or power on again.
Networking failed	Alarm device not quilt from network	Quilt network frist before networking
	gateway do not enter network state	Make sure gateway under networking state

11

## 07/Hush and Test

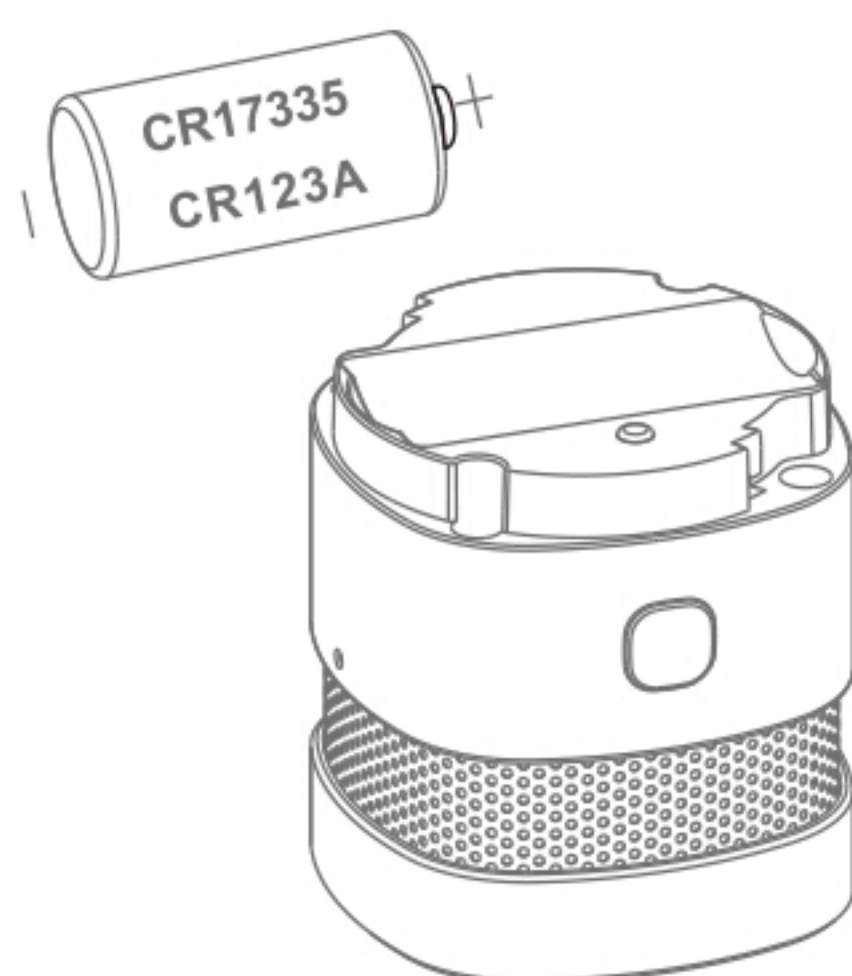
Please make sure that there is no real danger of fire when using mute function. Under known and non-fire alarm condition, please do not block or by any other form to prohibit alarming. Press the Test/Hush button to lower sensitivity and relieve alarm.



Press and hold the test panel Test/Hush button for 3 seconds, as above picture shows, until alarm status (see status table). Testing is recommended to be done at least once a month. Do not use flame for testing. Once the alarm is sure to please pay attention.

12

## 08/Battery Replacement



- Please replace battery correctly, following the battery positive and negative electrode. Attention to environmental protection and dispose used battery properly.

13

## 09/Maintenance

- Please press test button to test alarm devices weekly, after devices put into use. Please inspect the alarm device or return back factory if any faults happened ( like buzzer do not make sound, LED do not turn on).
- Battery can use around 3-5 years under normal condition, high temperature, high humidity or other poor condition may shorten battery life span.
- Please change the same battery timely when receiving low power indication, press test button if alarm device make sound and flash alarm means change battery success.
- Please install alarm device as soon as alarm devices planning to be test, make sure alarm devices in good condition, and takes measure for dust proof, damp proof and corrosion proof etc.
- Do not dismantle alarm devices privately if any problems of alarm devices happened, pls power off and contact local agent.
- Suggest change new battery after real fire alarm happened.

14

### Warning

- Do not install alarm devices in places with high temperature, high humidity, heavy oil fume, and keep nearby environment clean.
- Avoid install in places near from heavy oil paint, diluent or other colloid suspended solids, in case of any influence for normal detecting of alarm devices.
- This product is household usage smart smoke alarm, which can make sound and flash alarm when fire happens, but can not put out a fire.

### Announcement

\*The guide picture is for reference only. Please in kind prevail.  
\*Factory has final right for explanation if there is any inconformity between practical use and user instruction, as technology is improving form time to time.

15